

ALUMINUM RAILINGS AND STANDARD DETAIL SHEET

MADDERN MFG. CO
 331 DOGWOOD ROAD
 LAKE OZARK, MISSOURI 65049
 573-365-7040 800-248-1520

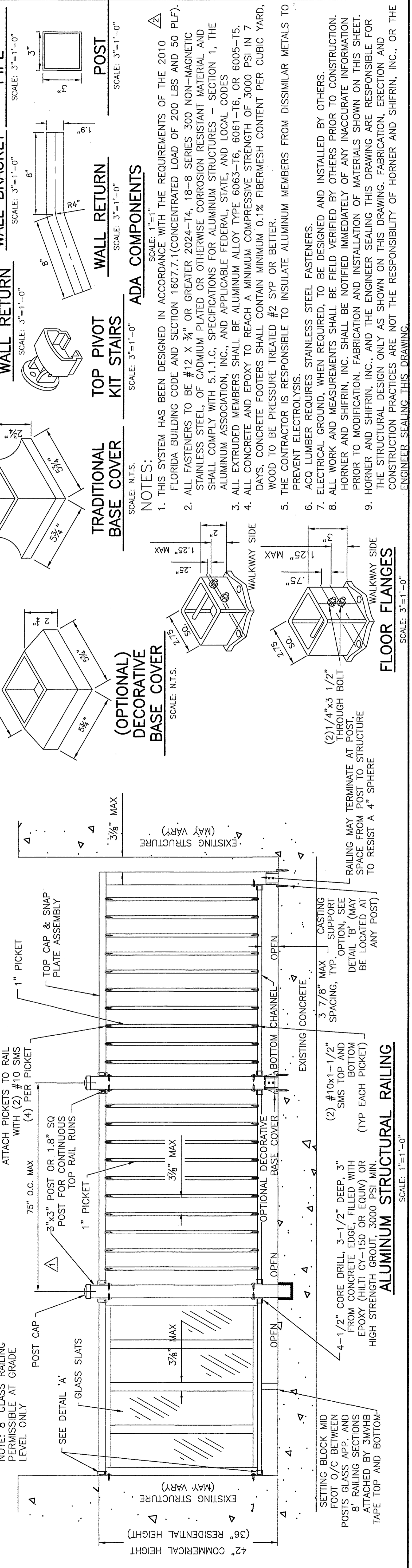
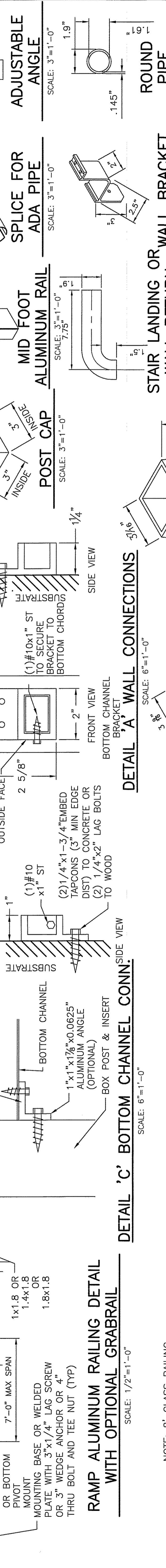
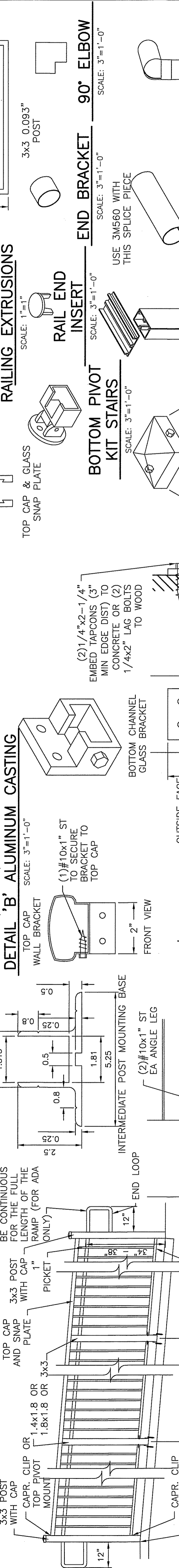
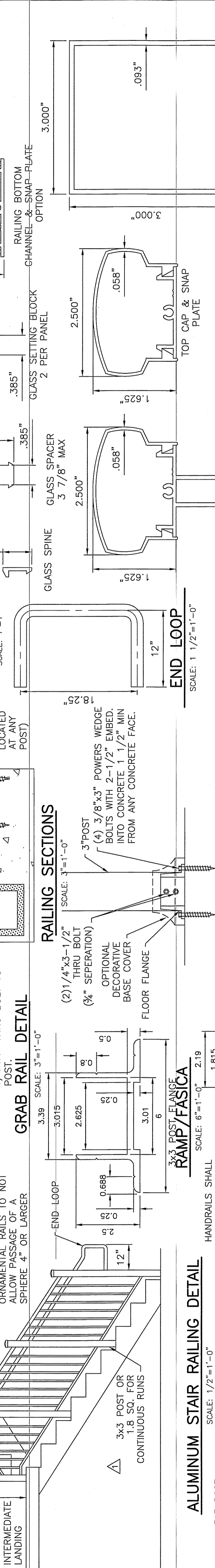
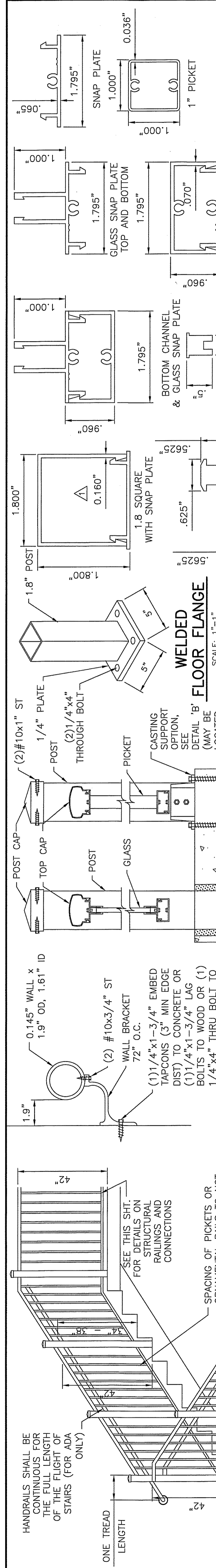
HORNER & SHIFRIN, INC.
 ENGINEERS
 4166 W. Kearney Street - Springfield, MO 65803-5909
 417-653-7000 • FAX 417-653-7003 • WWW.HORNER-SHIFRIN.COM
 Discipline: Professional Engineering

NO.	DATE	REVISION
1	3/27/2014	REV NOTES AND DIM'S
2	4/30/2014	REV NOTE 1

DESIGNED: KCS	DATE: 02-11-14
DRAWN: TMH	
CHECKED: KCS	
JOB NO. 1403300	
REF. NO. 1403300	
SHEET 1 OF 1	

THE PROFESSIONALS WHOSE SIGNATURES AND SEALS APPEAR HERE ASSUME RESPONSIBILITY FOR THE DESIGN AND CONSTRUCTION OF THE PROJECT FOR WHICH THIS SEAL INDICATES RESPONSIBILITY. NO PART OF THE PROJECT FOR WHICH THIS SEAL INDICATES RESPONSIBILITY.

FOR MORE INFORMATION ON THIS SEAL OR TO OBTAIN YOUR OWN SEAL, PLEASE CONTACT THE MISSOURI BOARD OF PROFESSIONAL ENGINEERS AT 100 WEST GASTON AVENUE, ST. LOUIS, MO 63102-1903. (314) 425-6000



RAILING SECTIONS: Shows cross-sections of the railing system with dimensions and material specifications. Labels include 'RAILING SECTIONS', 'SCALE: 3"=1'-0"', and 'RAILING SECTIONS'. It details the connection of the railing to a concrete wall using lag bolts and brackets.

WELDED FLOOR FLANGE: Shows a detail of a welded floor flange with dimensions and material specifications. Labels include 'WELDED FLOOR FLANGE', 'SCALE: 1"=1'-0"', and 'WELDED FLOOR FLANGE'. It details the connection of the railing to a concrete wall using lag bolts and brackets.

TRADITIONAL BASE COVER: Shows a detail of a traditional base cover with dimensions and material specifications. Labels include 'TRADITIONAL BASE COVER', 'SCALE: N.T.S.', and 'TRADITIONAL BASE COVER'. It details the connection of the railing to a concrete wall using lag bolts and brackets.

OPTIONAL DECORATIVE BASE COVER: Shows a detail of an optional decorative base cover with dimensions and material specifications. Labels include 'OPTIONAL DECORATIVE BASE COVER', 'SCALE: N.T.S.', and 'OPTIONAL DECORATIVE BASE COVER'. It details the connection of the railing to a concrete wall using lag bolts and brackets.

FLOOR FLANGES: Shows a detail of floor flanges with dimensions and material specifications. Labels include 'FLOOR FLANGES', 'SCALE: 3"=1'-0"', and 'FLOOR FLANGES'. It details the connection of the railing to a concrete wall using lag bolts and brackets.

WC: 1403300-Madden/Conrad/Madden Standard-11.dwg
 PLOT DATE: 4/30/2014 9:37:58 AM
 PLOT FILE: P1403300.dwg
 OPERATOR: TMH/MLL